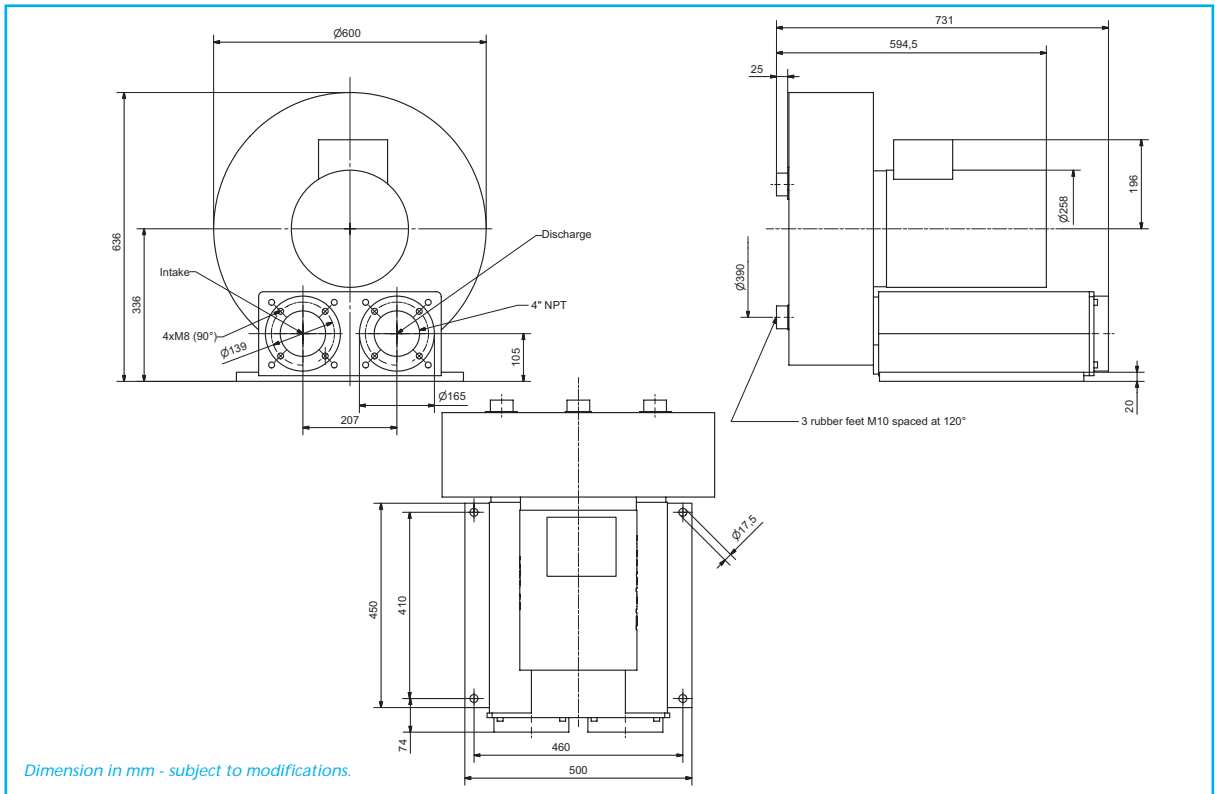
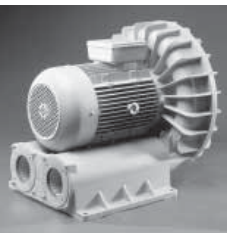


SD 120 VFD 12

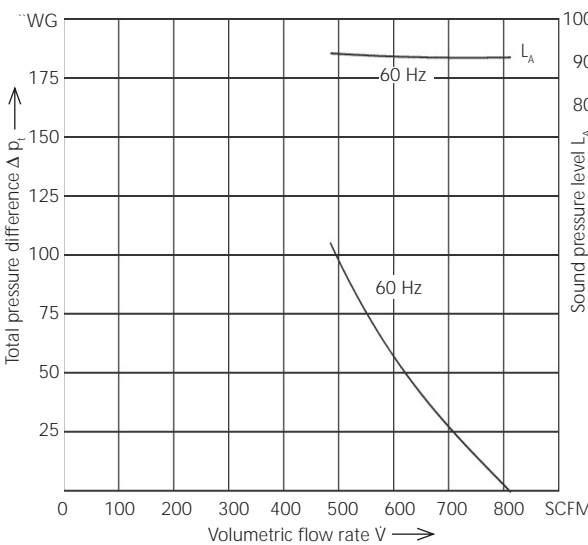


Dimension in mm - subject to modifications.

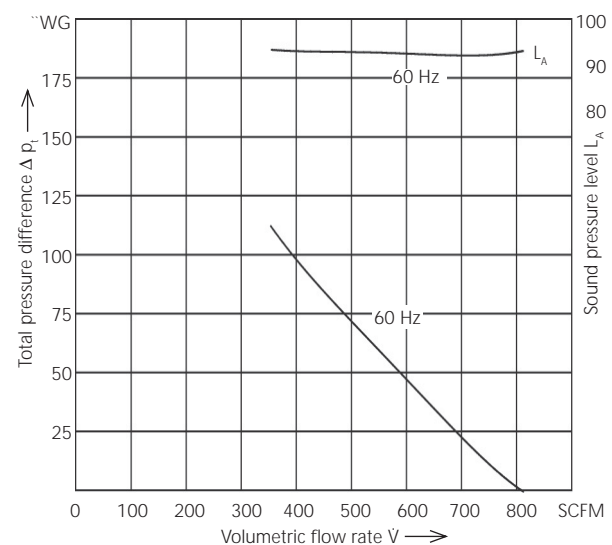
Delivery includes inlet and outlet flanges NPT 4".

Type	Maximum performance when used as blower				Maximum performance when used as extractor				Motor ratings			Weight
	Frequency	\dot{V} max	Δp_t max.	\dot{V} max.	Δp_t max.	Rated output	Voltage	Current	RPM	lb		
	Hz	SCFM	" WG	SCFM	" WG	hp	V	Amp.	min ⁻¹			
SD 120 VFD 12	60	812	104	812	112	20,4	230/460	51/25,5	3515	288		

Pressure



Vacuum



Technical and constructional subject to change.



Richard-Hirschmann-Straße 12
73728 Esslingen/Neckar
Germany
sales@elektror.com
www.elektror.com



FUJI ELECTRIC CORPORATION OF AMERICA
Park 80 West Plaza II
USA-Saddle Brook, NJ 07663
fujirc@fecoa.fujielectric.com
www.fujielectric.com