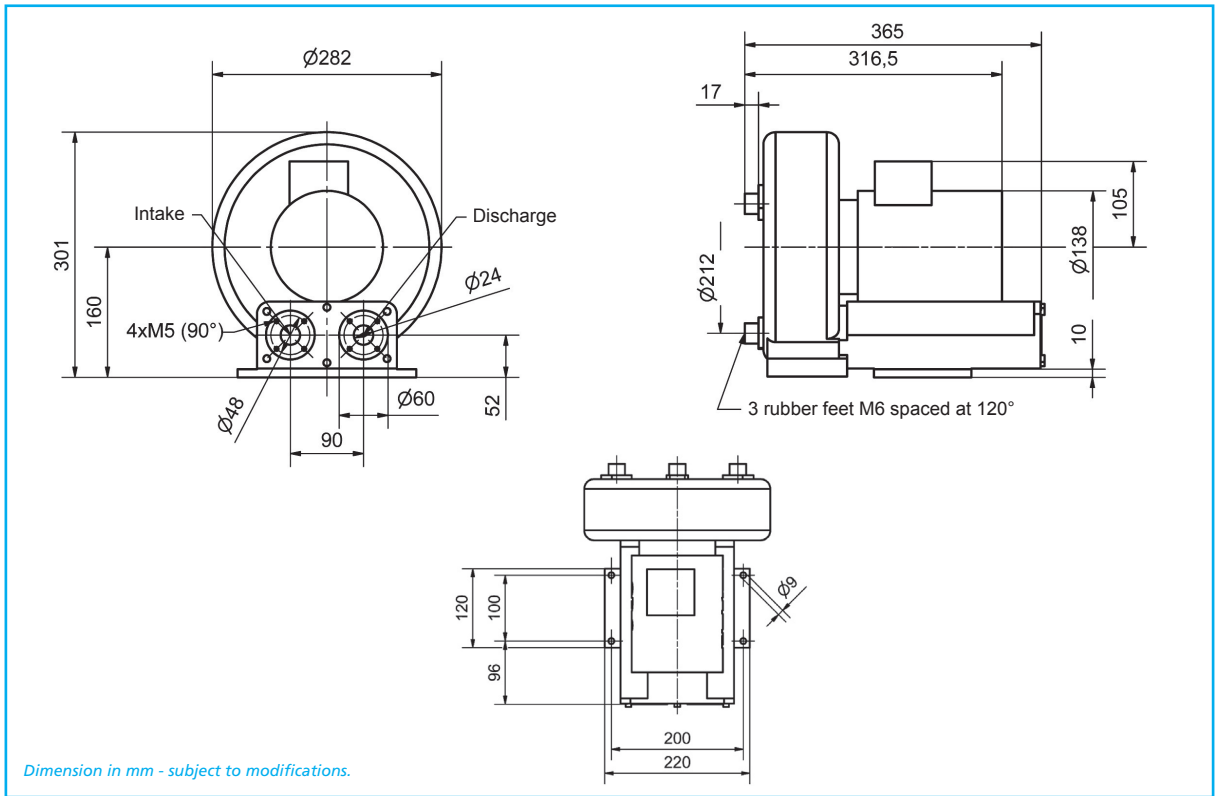
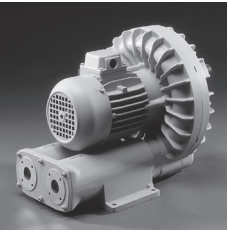


**SD 3
VFD 3,
SE 3
VFD 3S**

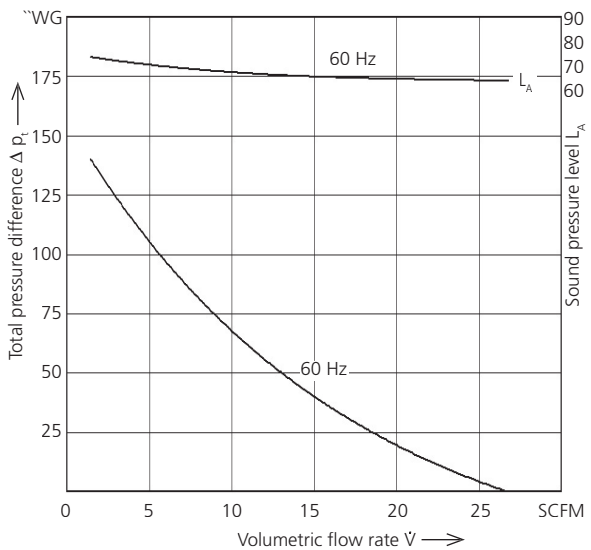


Dimension in mm - subject to modifications.

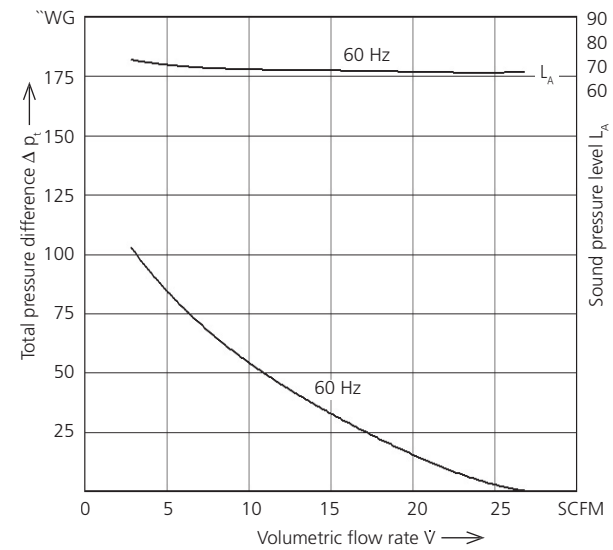
Delivery includes inlet and outlet flanges NPT 3/4".

Type	Maximum performance when used as blower		Maximum performance when used as extractor		Motor ratings				Capacitor	Weight	
	Frequency	\dot{V} max	Δp_t max.	\dot{V} max.	Δp_t max.	Rated output	Voltage	Current			RPM
	Hz	SCFM	"WG	SCFM	"WG	hp	V	Amp.			min ⁻¹
SD 3 VFD 3	60	26	140	26	104	0,75	230/460	3,35/1,67	3520	-	37,5
SE 3 VFD 3	60	26	140	26	104	0,75	230	4,0	3430	16/450	37,5

Pressure



Vacuum



Technical and constructional subject to change.



Richard-Hirschmann-Straße 12
73728 Esslingen/Neckar
Germany
sales@elektor.com
www.elektor.com



FUJI ELECTRIC CORPORATION OF AMERICA
Park 80 West Plaza II
USA-Saddle Brook, NJ 07663
fujidc@fecoa.fujielectric.com
www.fujielectric.com