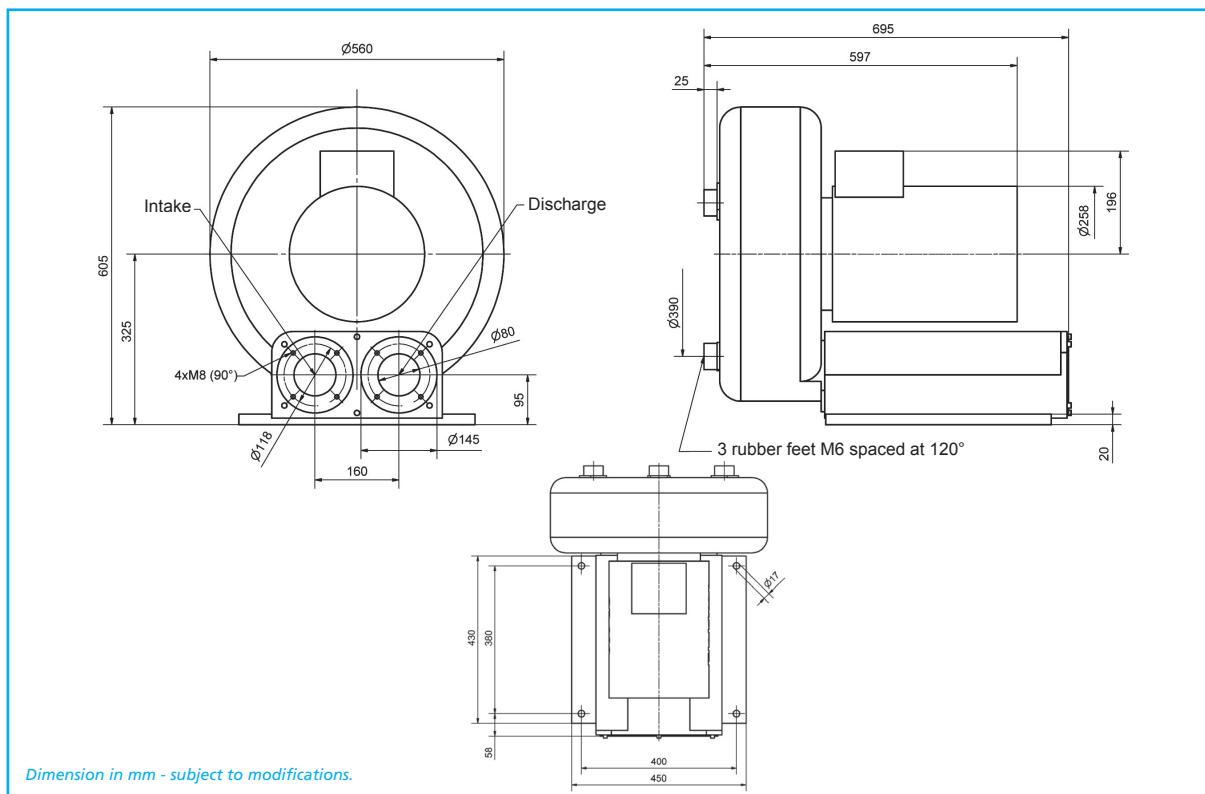
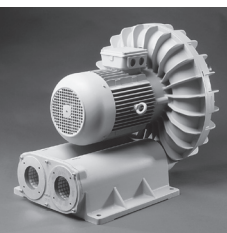


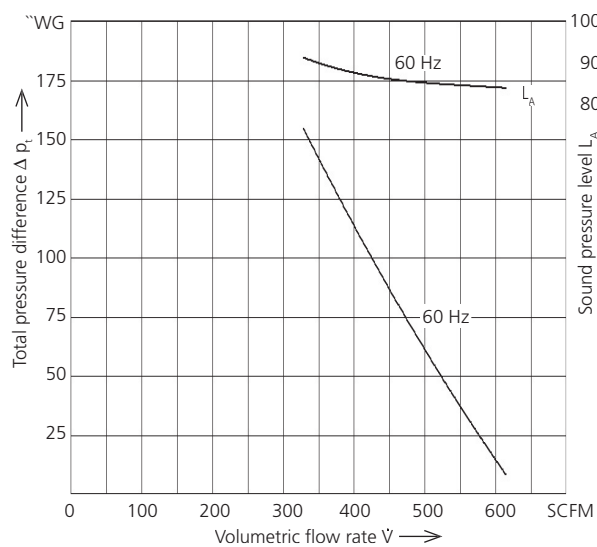
SD 900 VFD 9



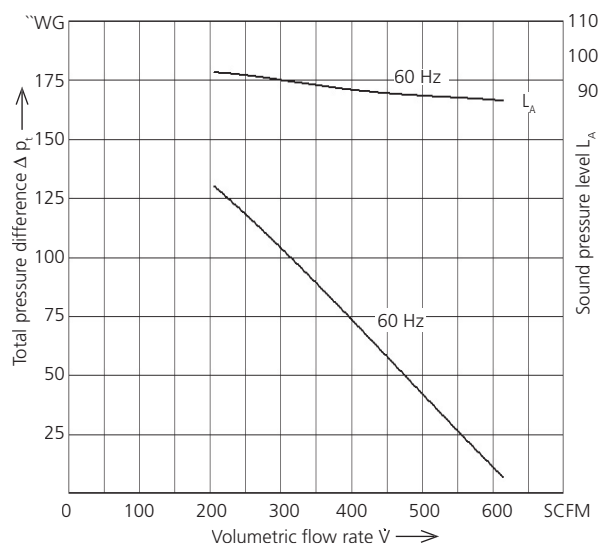
Delivery includes inlet and outlet flanges NPT 3".

Type	Maximum performance when used as blower				Maximum performance when used as extractor		Motor ratings				Weight
	Frequency	\dot{V} max	Δp_t max.	\dot{V} max.	Δp_t max.	Rated output	Voltage	Current	RPM		
	Hz	SCFM	"WG	SCFM	"WG	hp	V	Amp.	min ⁻¹		
SD 900 VFD 9	60	617	152	617	128	20,1	230/460	50,0/25,0	3500	264	

Pressure



Vacuum



Technical and constructional subject to change.

Elektor
airsystems gmbh

Richard-Hirschmann-Straße 12
73728 Esslingen/Neckar
Germany
sales@elektor.com
www.elektor.com

FE
FUJIELECTRIC CORPORATION

FUJIELECTRIC CORPORATION OF AMERICA
Park 80 West Plaza II
USA-Saddle Brook, NJ 07663
fujidc@fecoa.fujielectric.com
www.fujielectric.com