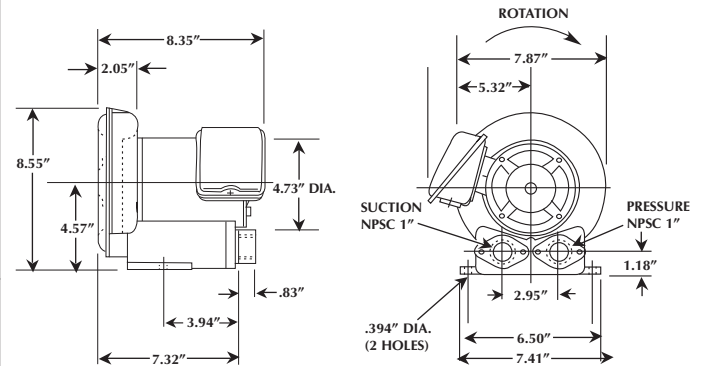




The VFC10 is a single-stage ring compressor with a maximum pressure of 27.5 in. H₂O, a maximum vacuum of 26 in. H₂O, and a maximum capacity of 27 SCFM. It comes complete with a direct-drive, 1/6 horsepower, TENV motor capable of operating on a wide range of voltages, and on 50 or 60 Hz. A pilot-duty thermal protector is standard equipment on all 3-phase models, and built-in automatic reset thermal protectors on 1-phase units. All versions have NEMA class B insulation, are UL recognized, CSA certified and CE.



SPECIFICATIONS

Model No.	Hz	Voltage		Amps (Max. Rated)	Amps (Locked Rotor)	Max. Pressure	Max. Vacuum	Max. Airflow	Min. Airflow	Max. Temp Rise (ΔT)	Weight
		Low Voltage	High Voltage			in. H ₂ O	in. H ₂ O	SCFM	SCFM	°F(°C)	lbs.(kg)
VFC100P-5T	60	115/230		1.5/0.75	8.4/4.2	27.5	26	27	3.5	72(40)	19(8.6)
	50	110/220		1.3/0.65	8.6/4.3	22	21	23	1.75	65(35)	
VFC100A-7W	60	200-240/400-480		0.53-0.52/0.27-0.26	2.0-2.4/1.0-1.2	26.5	25	27	3.5	72(40)	
	50	190-230/380-460		0.4-0.46/0.2-0.23	2.2-2.6/1.1-1.3	20	19	22	1.75	65(35)	

ACCESSORIES *For additional accessories: See pages 28-37.*

Description	Vacuum Relief Valve	Pressure Relief Valve	Inlet Filter	Inlet Filter Cover	Inlet Filter/Receiver	Exhaust Silencer/Muffler
Model No.	Not Req'd	Not Req'd	F-123	C-123	R15P1.5	VFY-021A

NOTE: Maximum allowable time at deadhead is 600 seconds

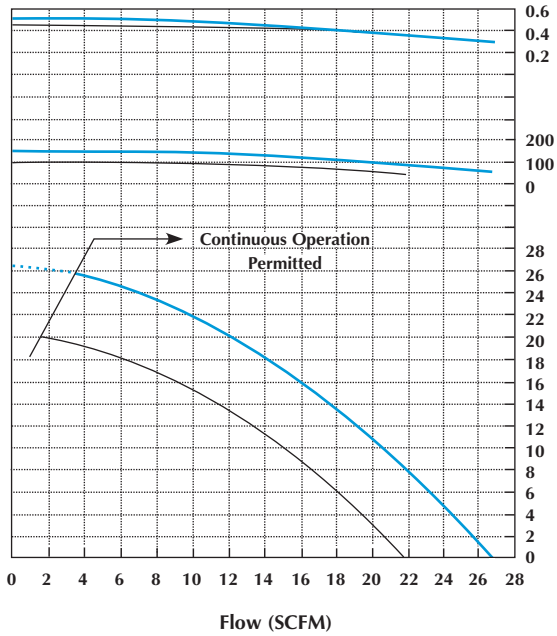


VFC10 PERFORMANCE DATA

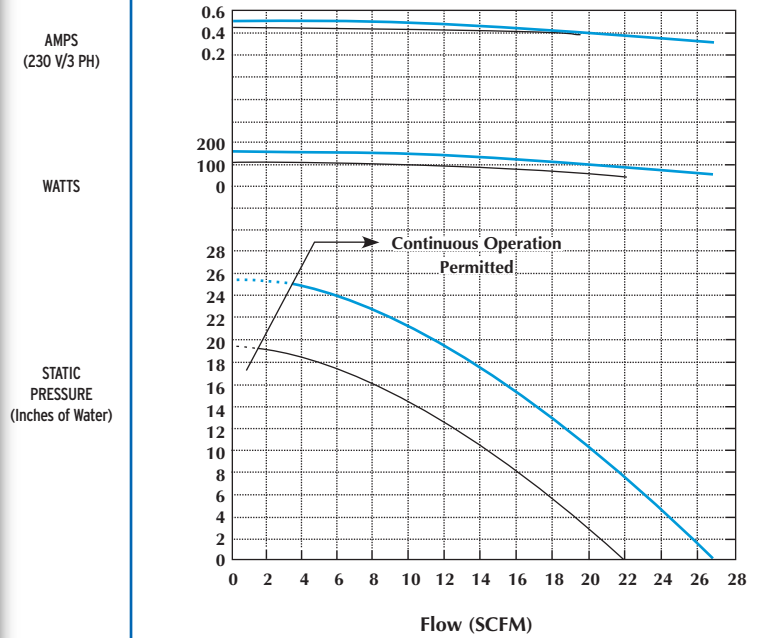
KEY

— 60 Hz
— 50 Hz

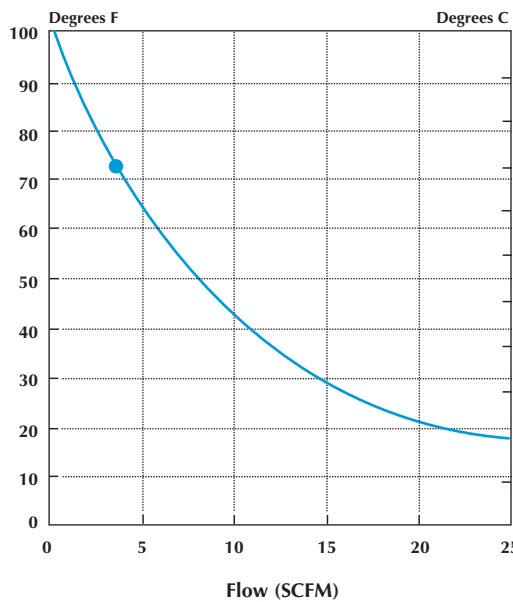
PRESSURE



VACUUM

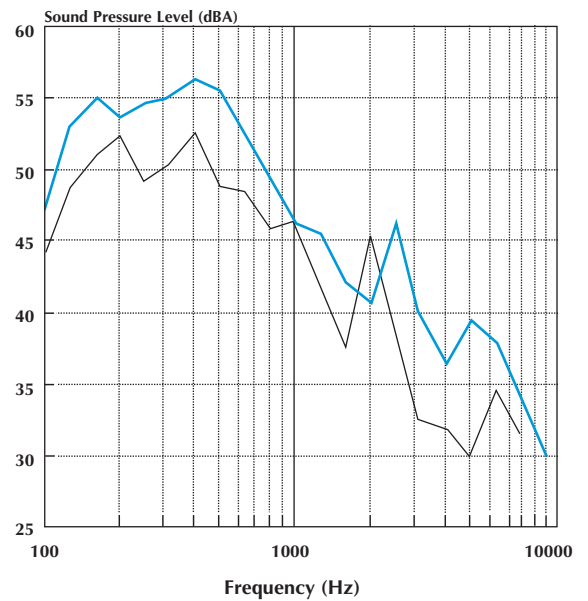


TEMPERATURE RISE



Max. Air Temperature is Value Marked • plus 40 Degrees C Ambient Temperature

SOUND LEVEL



*Measured at distance of 1.0 meters